

MAGNET S20 – Chlorine or pH dosing pump

- MAGNET S20 is a series of dosing pumps **compact, reliable** and **easy to use**
- Coupled with a pH or chlorine regulator, it is able to dose **automatically** treatment products used to treat swimming pool water
- Used alone, it allows a constant dosing of the product
- Adjustable injection rate via the front panel potentiometer from 10 to 100% of maximum flow rate of the pump
- Some models are equipped with a **noise reduction** system (see table below)



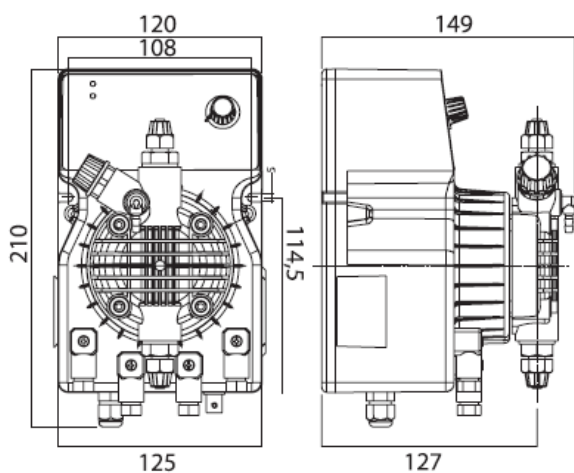
TECHNICAL CHARACTERISTICS

Type	Max flow l/h	Max press bar	Max imp/min	Dosed by imp. ml	Suction heigh m	Standard power supply Volts - Hz	Ener. Watts	Net weight Kg
8 - 3*	8	3	120	1,11	1,5	230 V 50-60 Hz	58	2,9
12 - 3	12	3	120	1,67	1,5	230 V 50-60 Hz	58	2,9
16 - 3	16	3	120	2,22	1,5	230 V 50-60 Hz	58	2,9
20 - 3	20	3	120	2,60	1,5	230 V 50-60 Hz	58	2,9

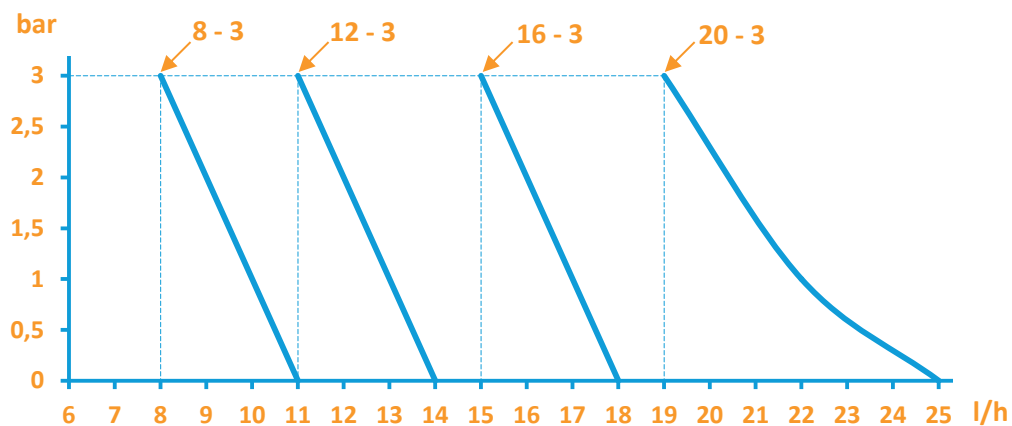
*Quiet pump equipped with a noise reduction system

- **Comes with :**
 - 1 injection valve G1/2"
 - 1 foot filter
 - 1 PVC tube of 4m transparent for suction / boot
 - 1 PE tube of 2m white to repression
 - 1 instruction manual
- **Standard materials :**
 - Pump head : PP (upon request PVDF, PVC)
 - Membrane : Téflon
 - Garnitures : FPM (Viton[®]) (upon request EPDM (Dutral[®]))
 - Valves : lip valve (upon request ceramic or glass ball valves)

• **Dimensions :**



• **Flow rate vs Pressure diagram :**



AVADY POOL - 9 Chaussée Jules César, Bâtiment 4 Hall 406 - 95520 OSNY – France

Tel : +33 (0)1 34 48 16 03 Fax : +33 (0)1 78 76 73 95 Email : contact@avadypool.com Web : www.avadypool.com

Viton® and Dutral® trademark by Dupont Elastomère. It is the responsibility of the user to ensure that these products are in line with their needs.
The use of these products by third parties beyond our control will void any warranty.