

## MAGNET S10

- MAGNET S10 is a series of dosing pumps **quiet, compact, reliable** and **easy to use**
- Coupled with a pH or chlorine regulator, it is able to dose **automatically** treatment products used to treat swimming pool water
- Used alone, it allows a constant dosing of the product
- Adjustable injection rate via the front panel potentiometer from 10 to 100% of maximum flow rate of the pump



### TECHNICAL CHARACTERISTICS

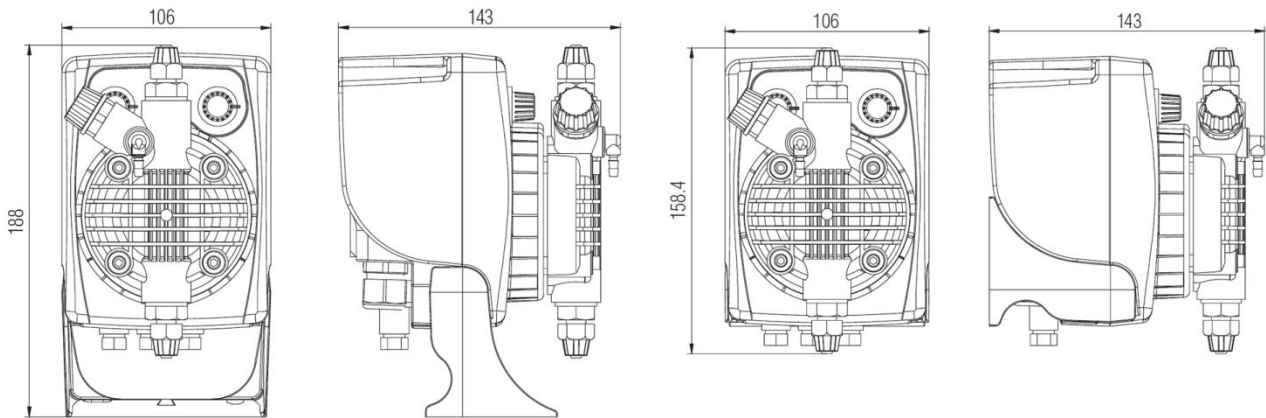
Type	Max flow	Max press	Max imp/min	Dosed by imp.	Suction heigh	Standard power supply	Ener.	Net weight
	l/h	bar		ml	m	Volts - Hz	Watts	Kg
2-3	2	3	120	0,27	1,5	220/240 V 50-60 Hz	32	1,9
6-3	6	3	120	0,83	1,5	220/240 V 50-60 Hz	32	1,9

- Its bracket allows it to be wall mounted or on a tank mix.

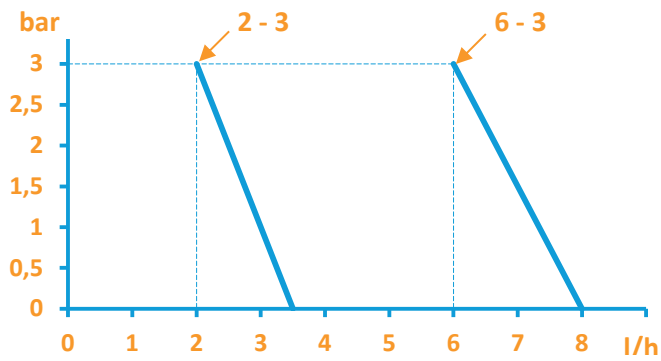


- **Comes with :**
  - 1 injection valve G1/2"
  - 1 foot filter
  - 1 PVC tube of 4m transparent for suction / boot
  - 1 PE tube of 2m white to repression
  - 1 instruction manual
- **Standard materials :**
  - Pump head : PP (upon request PVDF, PVC)
  - Membrane : Téflon
  - Garnitures : FPM (Viton<sup>®</sup>) (upon request EPDM (Dutral<sup>®</sup>))
  - Valves : lip valve (upon request ceramic or glass ball valves)

• **Dimensions :**



• **Flow rate vs Pressure diagram :**



**AVADY POOL** - 9 Chaussée Jules César, Bâtiment 4 Hall 406 - 95520 OSNY – France

Tel : +33 (0)1 34 48 16 03 Fax : +33 (0)1 78 76 73 95 Email : [contact@avadypool.com](mailto:contact@avadypool.com) Web : [www.avadypool.com](http://www.avadypool.com)

Viton® and Dutral® trademark by Dupont Elastomère. It is the responsibility of the user to ensure that these products are in line with their needs.  
The use of these products by third parties beyond our control will void any warranty.